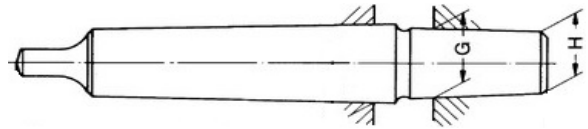





# ARBRE POUR MANDRIN DE FORAGE BOORKOP HOUDER - DRILL CHUCK ADAPTER



CM -MK DIN228		G	H		CM -MK DIN228	G	H		CM -MK DIN228	G	H	B..MK..			
<b>1</b>	<b>B10</b>	10,095	9,4	<b>B10MK1</b>	<b>3</b>	<b>B10</b>	10,095	9,4	<b>B10MK3</b>	<b>4</b>	<b>B16</b>	15,733	14,5	<b>B16MK4</b>	
	<b>B12</b>	12,065	11,1	<b>B12MK1</b>		<b>B12</b>	12,065	11,1	<b>B12MK3</b>		<b>B18</b>	17,780	16,2	<b>B18MK4</b>	
	<b>B16</b>	15,733	14,5	<b>B16MK1</b>		<b>B16</b>	15,733	14,5	<b>B16MK3</b>		<b>B22</b>	21,793	19,8	<b>B22MK4</b>	
	<b>B18</b>	17,780	16,2	<b>B18MK1</b>		<b>B18</b>	17,780	16,2	<b>B18MK3</b>		<b>JT3</b>	20,599	19,0	<b>JT3MK4</b>	
<b>2</b>	<b>B10</b>	10,095	9,4	<b>B10MK2</b>	<b>3</b>	<b>B22</b>	21,793	19,8	<b>B22MK3</b>	<b>4</b>	<b>JT6</b>	17,170	15,9	<b>JT6MK4</b>	
	<b>B12</b>	12,065	11,1	<b>B12MK2</b>		<b>JT3</b>	20,599	19,0	<b>JT3MK3</b>		<b>JT4</b>	28,550	26,345	<b>JT4MK4</b>	
	<b>B16</b>	15,733	14,5	<b>B16MK2</b>		<b>JT6</b>	17,170	15,9	<b>JT6MK3</b>		<b>JT2</b>	22,200	14,199	<b>JT2MK4</b>	
	<b>B18</b>	17,780	16,2	<b>B18MK2</b>		<b>JT4</b>	28,550	26,345	<b>JT4MK3</b>		<b>JT33</b>	25,400	15,85	<b>JT33MK4</b>	
	<b>B22</b>	21,793	19,8	<b>B22MK2</b>	<b>R8</b>	<b>JT2</b>	22,200	14,199	<b>JT2MK3</b>	<b>5</b>	<b>B16</b>	15,733	14,5	<b>B16MK5</b>	
	<b>JT3</b>	20,599	19,0	<b>JT3MK2</b>			<b>JT33</b>	25,400	15,85		<b>JT33MK3</b>	<b>B18</b>	17,780	16,2	<b>B18MK5</b>
	<b>JT6</b>	17,170	15,9	<b>JT6MK2</b>			<b>B16</b>	15,733	14,5		<b>B16R8</b>	<b>B22</b>	21,793	19,8	<b>B22MK5</b>
	<b>JT4</b>	28,550	26,345	<b>JT4MK2</b>								<b>JT3</b>	20,599	19,0	<b>JT3MK5</b>
<b>JT2</b>	22,200	14,199	<b>JT2MK2</b>						<b>JT6</b>		17,170	15,9	<b>JT6MK5</b>		
									<b>JT4</b>		28,550	26,345	<b>JT4MK5</b>		
									<b>JT2</b>		22,200	14,199	<b>JT2MK5</b>		
									<b>JT33</b>		25,400	15,85	<b>JT33MK5</b>		



**AVEC FILET INTERIEUR  
MET BINNEN DRAAD**

D CYL - CIL	B		<b>B16</b>	F		CM -MK DIN228	F	
<b>8</b>	<b>B10</b>	<b>B10CYL08</b>	<b>CM 2 MK</b>	<b>M10X1,50</b>	<b>B16MK2TT</b>	<b>2</b>	<b>1/2 - 20</b>	<b>1/2MK2</b>
<b>10</b>	<b>B12</b>	<b>B12CYL10</b>	<b>CM 3 MK</b>	<b>M12X1,75</b>	<b>B16MK3TT</b>		<b>5/8 - 16</b>	<b>5/8MK2</b>
	<b>B16</b>	<b>B16CYL10</b>	<b>CM 4 MK</b>	<b>M16X2,00</b>	<b>B16MK4TT</b>		<b>3</b>	<b>1/2 - 20</b>
<b>12</b>	<b>B16</b>	<b>B16CYL12</b>				<b>5/8 - 16</b>		<b>5/8MK3</b>
	<b>16</b>	<b>B16</b>	<b>B16CYL16</b>					
<b>B18</b>		<b>B18CYL16</b>						
<b>20</b>	<b>B12</b>	<b>B12CYL20</b>						
	<b>B16</b>	<b>B16CYL20</b>	<b>ROTAWB16</b>	19,05	<b>B16</b>	<b>ROTAQB16</b>	19,05	<b>B16</b>
<b>B18</b>	<b>B18CYL20</b>							



SA DIN 2080	B		SK DIN 69871	B		BT MAS403	B	
<b>SA30</b>	<b>B10</b>	<b>B10SA30</b>	<b>SK30</b>	<b>B12</b>	<b>B12SK30</b>	<b>BT30</b>	<b>B12</b>	<b>B12BT30</b>
	<b>B12</b>	<b>B12SA30</b>		<b>B16</b>	<b>B16SK30</b>		<b>B16</b>	<b>B16BT30</b>
	<b>B16</b>	<b>B16SA30</b>						
<b>SA40</b>	<b>B12</b>	<b>B12SA40</b>	<b>SK40</b>	<b>B12</b>	<b>B12SK40</b>	<b>BT40</b>	<b>B12</b>	<b>B12BT40</b>
	<b>B16</b>	<b>B16SA40</b>		<b>B16</b>	<b>B16SK40</b>		<b>B16</b>	<b>B16BT40</b>
	<b>B18</b>	<b>B18SA40</b>		<b>B18</b>	<b>B18SK40</b>		<b>B18</b>	<b>B18BT40</b>
<b>SA50</b>	<b>B16</b>	<b>B16SA50</b>	<b>SK50</b>	<b>B16</b>	<b>B16SK50</b>	<b>BT50</b>	<b>B16</b>	<b>B16BT50</b>
	<b>B18</b>	<b>B18SA50</b>		<b>B18</b>	<b>B18SK50</b>		<b>B18</b>	<b>B18BT50</b>